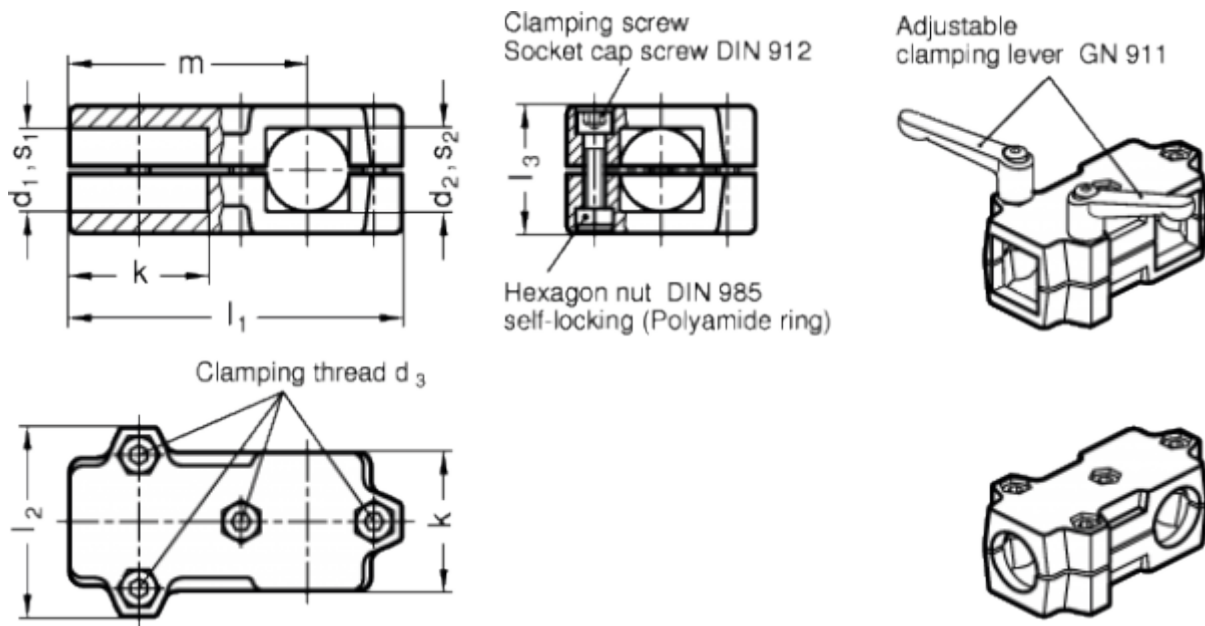


Article number: 20193B25B25502BL
 Description: E+G T-angle clamp
 GN 193-B25-B25-50-2-BL

Measures



Accessories = GN 911-M8-40	m	= -
d1 = 25	s1	= -
d2 = 25	s2	= -
d3 = M8	Weight in (g) = 436	
k = 50		
l1 = 120		
l2 = 68		
l3 = 46		